






23	PIN	1701-0201122	1	0	AISI304
22	HEXAGONAL NIPPLE 3/4" AISI316	0159-3100204	1	0.16	AISI316
21	PIPE	14030201-919C	1	3.2	C.S.
20	PIPE	14030201-919B	1	1.9	C.S.
19	G 3/4" FLANGE ANSI300 ANSI B16.5	0142-1000405F	1	1.13	ASTM A105
18	G 3/4" ADAPTER M/F 60 FLARE-90 ELBOW	0160-4810005	1	0.284	C.STEEL
17	G 3/4" ADAPTER F/F 60 FLARE-90 ELBOW	0160-4610005	5	0.284	C.STEEL
16	DN20 PN43 HOSE L=1600	90231130004	1	1.5	
15	HYGH TEMP SS HOSE DN20	90231130003	2	0.92	
14	BALL VALVE 3/4" NPT THREADED	31963103	1	0	AISI316+PTFE
13	ALU PIPE CLAMPS	3014-2008	3	0	C.S.
12	C.S. PIPE CLAMPS	3014-1014	3	0	C.S.
11	3" PIPE FLG.TTMA	3115011757	1	4.4	ALUMINIUM
10	COUPLER	1701-0201100	1	14	ALU
9	3" ALU INTERMEDIATE SWIVEL	08580101-T	1	3.7	ALU.+PTFE
8	KIT FOR FLANGE 3" TTMA (AISI 304+TEFLON)	23050604-T	3	0.8	TEFLON+AISI304
7	NAMEPLATE	2299-0000064	1	0.01	ALUMINIUM
6	PILLOW BLOCK	0423-1000030	1	1.27	CAST IRON
5	3" PISTON BRACKET	3014-3PSR-A	1	8	C.S.
4	COMPRESSION SPRING BALANCE PISTON	2000-085	1	28	CARBON STEEL
3	KIT FOR FLANGE 3" ANSI150	23050704-T	1	0.9	
2	MAINTENANCE KIT - 3" SWIVEL, PTFE SEALS	2310-04T	3	0.47	TEFLON
1	3" WELDED+PAINTED ARM	14030201-919A	1	70	C.S.
Pos	Descrizione	Codice	Q.tà	Peso	Materiale

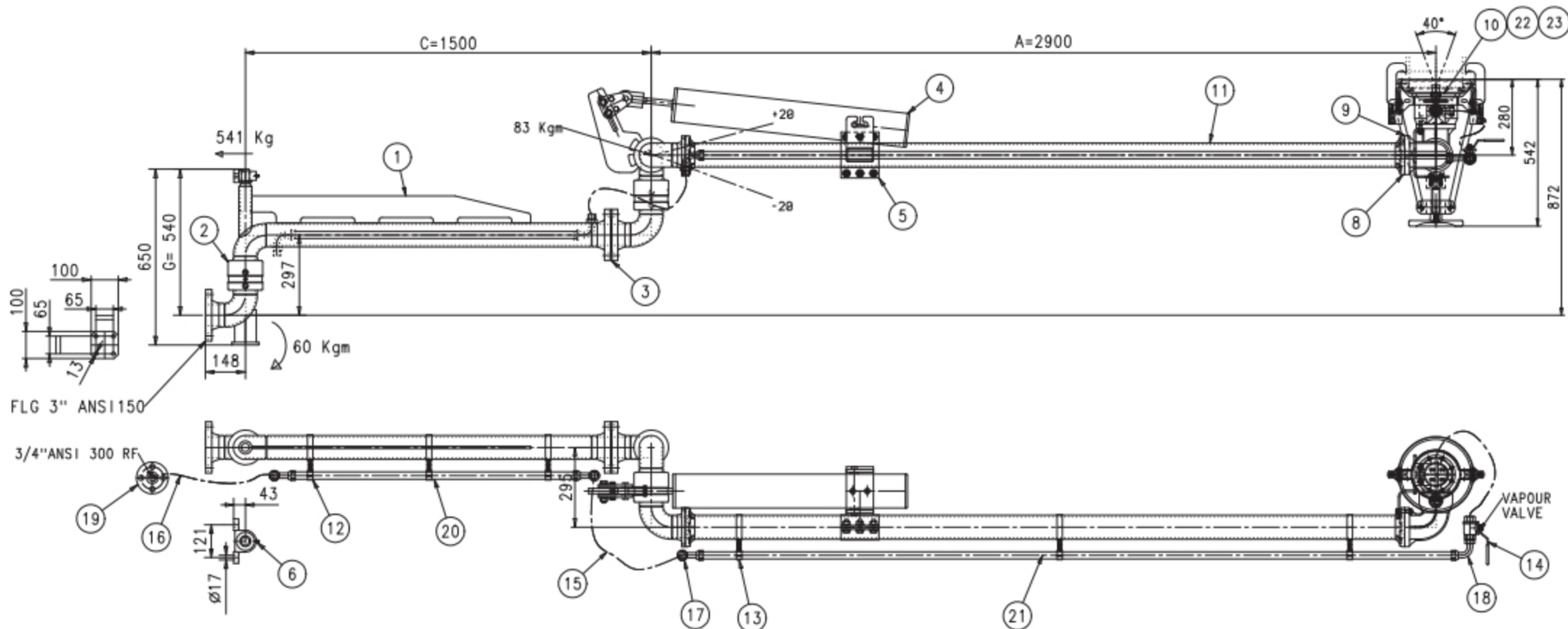

 LIQUID TRANSFER s.r.l.
 Via Primo Maggio 19
 48064 Ozzano Emilia (BO) ITALY
 www.silea.it


 Categoria I
 Modulo A

Year Code DN
 Serial n°
 Ps bar Ts °C U it
(max) (min/max)
 Fluid Weight kg

Remarks :					
ITEMS NOT LISTED ARE FOR INTERNAL USE ONLY					
 silea Liquid Transfer s.r.l. www.silea.it		DESCRIPTION :			
		3" LONG RANGE BOTTOM UNLOADING ARM			
		Material			
		CS+ALU+PTFE			
Rev.	Weight kg	Drawn by	Vis.	Scale	Date
0	145	utec3		1:14	23/09/2013
					Code
					14030201-919



FLG 3" ANSI1150

3/4"ANSI 300 RF

VAPOUR VALVE

23	PIN	1701-0201122	1	0	AISI304
22	HEXAGONAL NIPPLE 3/4" AISI316	0159-3100204	1	0.16	AISI316
21	PIPE	14030201-919D	1	3.2	C.S.
20	PIPE	14030201-919B	1	1.9	C.S.
19	G 3/4" FLANGE ANSI300 ANSI B16.5	0142-1000405F	1	1.13	ASTM A105
18	G 3/4"ADAPTER M/F 60 FLARE-90 ELBOW	0160-4810005	1	0.284	C.STEEL
17	G 3/4"ADAPTER F/F 60 FLARE-90 ELBOW	0160-4610005	5	0.284	C.STEEL
16	DN20 PN43 HOSE L=1600	90231130004	1	1.5	
15	HYGH TEMP SS HOSE DN20	90231130003	2	0.92	
14	BALL VALVE 3/4" NPT THREADED	31963103	1	0	AISI316+PTFE
13	ALU PIPE CLAMPS	3014-2008	3	0	C.S.
12	C.S. PIPE CLAMPS	3014-1014	3	0	C.S.
11	3" PIPE FLG.TTMA	3115012650	1	6.35	ALUMINIUM
10	COUPLER	1701-0201100	1	14	ALU
9	3" ALU INTERMEDIATE SWIVEL	08580101-T	1	3.7	ALU.+PTFE
8	KIT FOR FLANGE 3" TTMA (AISI 304+TEFLON)	23050604-T	3	0.8	TEFLON+AISI304
7	NAMEPLATE	2299-0000064	1	0.01	ALUMINIUM
6	PILLOW BLOCK	0423-1000030	1	1.27	CAST IRON
5	3" PISTON BRACKET	3014-3PSR-A	1	8	C.S.
4	COMPRESSION SPRING BALANCE PISTON	2000-085	1	28	C.S.
3	KIT FOR FLANGE 3" ANSI1150	23050704-T	1	0.9	
2	MAINTENANCE KIT - 3" SWIVEL, PTFE SEALS	2310-04T	3	0.47	TEFLON
1	3"WELDED+PAINTED ARM	14030201-919A	1	70	C.S.
Pos	Descrizione	Codice	Q.tà	Peso	Materiale

 	 LIQUID TRANSFER s.r.l. Via Primo Maggio 19 48064 Ozzano Emilia (BO) ITALY www.silea.it	 Categoria I Modulo A
	Year <input type="text" value="201"/> Code <input type="text"/> DN <input type="text"/> Serial n° <input type="text"/> Ps <input type="text" value="10"/> bar Ts <input type="text" value="-15/+65"/> °c V <input type="text"/> lt <small>(max)</small> <small>(min/max)</small> Fluid <input type="text" value="GRUPPO 1"/> Weight <input type="text"/> kg	7

Remarks :

ITEMS NOT LISTED ARE FOR INTERNAL USE ONLY



silea
Liquid Transfer s.r.l.
www.silea.it

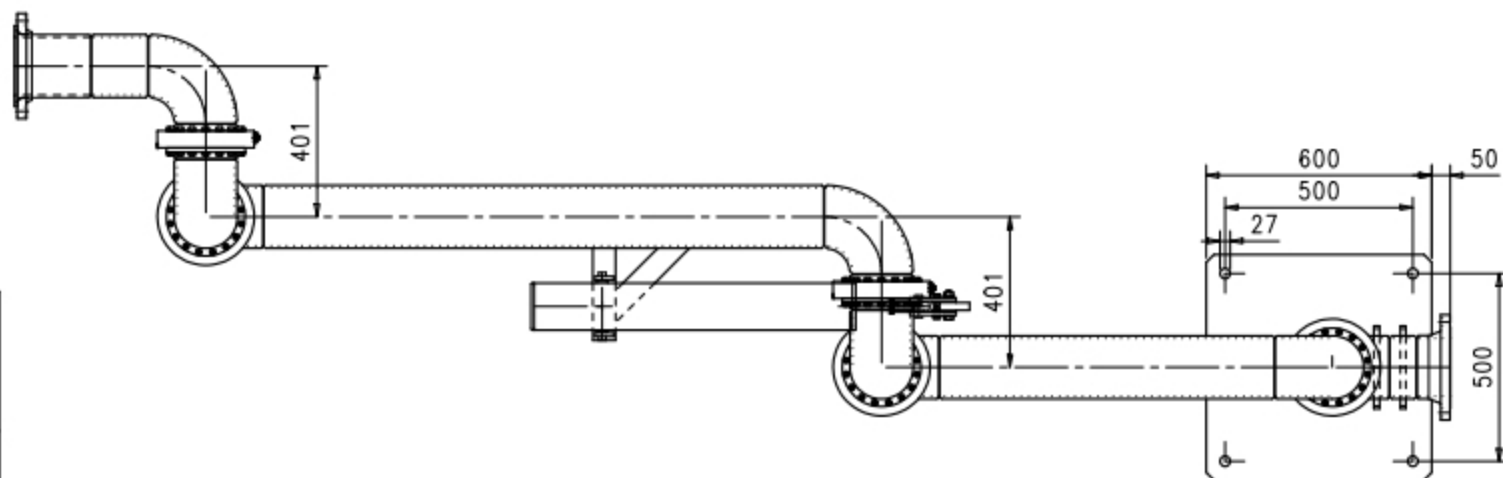
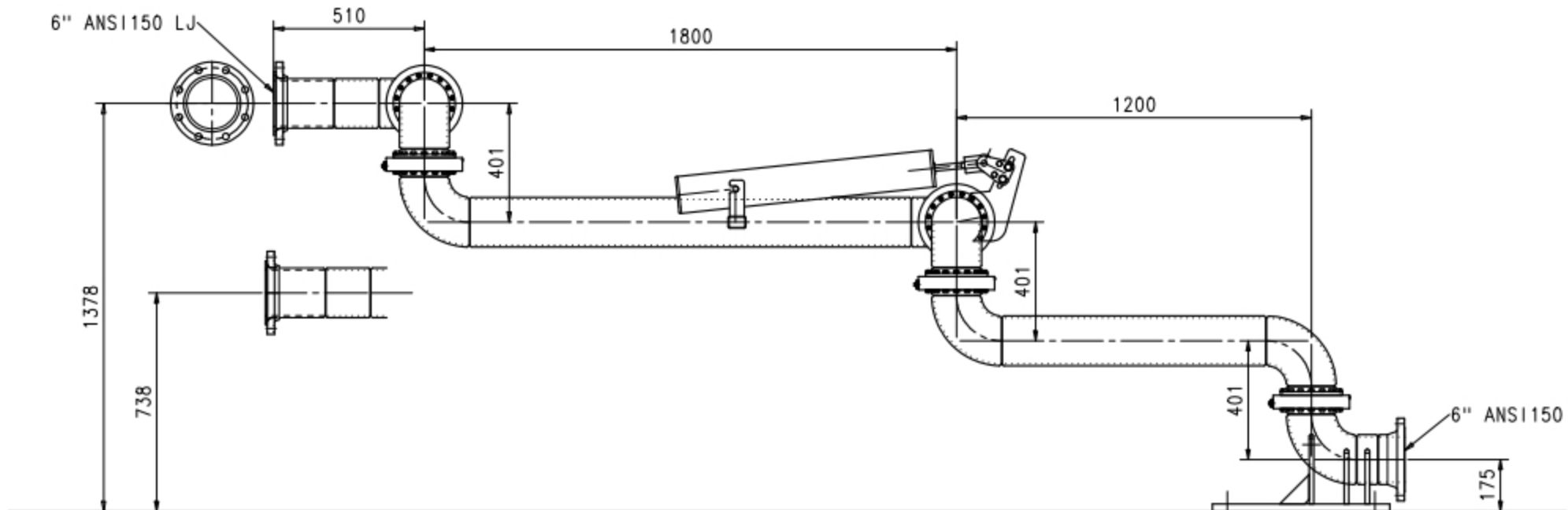
DESCRIPTION :





3" LONG RANGE BOTTOM UNLOADING ARM


Material


CS+ALU+PTFE

Rev.	Weight kg	Drawn by	Vis.	Scale	Date	Code
0	147	c-zanetti		1:15	23/09/2013	14030201-920




 SPA
 48064 Ozzano Emilia (BO) ITALY
 via Collegio di Spagna 34
 Tel. +39 051 799229
 http: www.silea.it


 Categoria I
 Modulo A

Year Code DN
 Serial n°
 Ps bar Ts / °C V it
(max) (min/max)
 Fluid Weight Kg

Remarks :

ITEMS NOT LISTED ARE FOR INTERNAL USE ONLY



stabilimento e uffici:
 via Collegio di Spagna 34
 Tel. 799229 - cap 48064
 Ozzano Emilia (Bologna)

DESCRIPTION :

6" LONG RANGE BOTTOM UNLOADING ARM

Material
 C.S.+VITON

5	NAMEPLATE	2299-0000064	1	0.01	ALUMINIUM
4	COMPRESSION SPRING BALANCE PISTON	2000-150	1	35	C.S.
3	PLATE	0300-0000205	1	0	AISI304
2	ASSEMBLY KIT - 6" SWIVEL, VITON SEALS	2310-16V	5	0.04	VITON
1	MAIN ARM WELD+PAINT	1403-0203001	1	255	CARBON STEEL
Pos	Descrizione	Codice	Q.tà	Peso	Materiale

Rev.	Weight kg	Drawn by	Vis.	Scale	Date	Code
0	300	c-zanetti		1:15	15/09/2011	14030203