

FLG. 3" ANSI 150

15	NAMEPLATE FOR ARMS ATEX+PED	2299-0000064	1	0.01	ALUMINIUM
14	KIT FOR FLANGE 3" TTMA	23050104	6	0.46	ASBESTFREE
13	DRIP CAN 3" - 4"	31250102	1	0.7	ALUMINIUM
12	3" DROP PIPE FLG.TTMA	31100101	1	2.7	ALUMINIUM
11	DROP PIPE SWIVEL 3" Fig.TTMA	08740101	1	4.925	ALUMINIUM+VITON
10	3" PIPE FLG.TTMA	31140101	1	1.9	ALUMINIUM
9	ROD FOR REMOTE CONTROL VALVE (1500)	3170111500	1	1.53	CARB. STEEL+BRASS
8	REMOTE CONTROL ASSEMBLY KIT	23020010	1	1.11	CARBON STEEL+ALUMINIUM
7	3" ALU INTERMEDIATE SWIVEL	08580101	1	3.7	ALUMINIUM+VITON
6	3" PIPE TTMA FLANGED	3115011450	1	4	ALUMINIUM
5	3" LOADING VALVE-S.O.-TTMA FLG.	0560-0101100	1	7.6	ALUMINIUM+VITON
4	KIT LEVER ASSEMBLY	23020020-3DX	1	4.4	C.S.
3	COVER FOR SPRING BALANCE ASSEMBLY	23020030	1	0.85	ABS
2	TORSION SPRING BALANCE 18	3000-0101100	1	28	CAST IRON
1	3" DOUBLE BASE SWIVEL + TSB SUPPORT	08650101-V	1	26.2	CARBON STEEL+VITON
Pos	Descrizione	Codice	Q.tà	Peso	Materiale

Remarks :

ITEMS NOT LISTED ARE FOR INTERNAL USE ONLY



DESCRIPTION :

3" VARIABLE REACH TOP LOADING ARM TSB
R.H. - DOUBLE BASE SWIVEL C.S.

Material

CARBON STEEL+ALUMINIUM

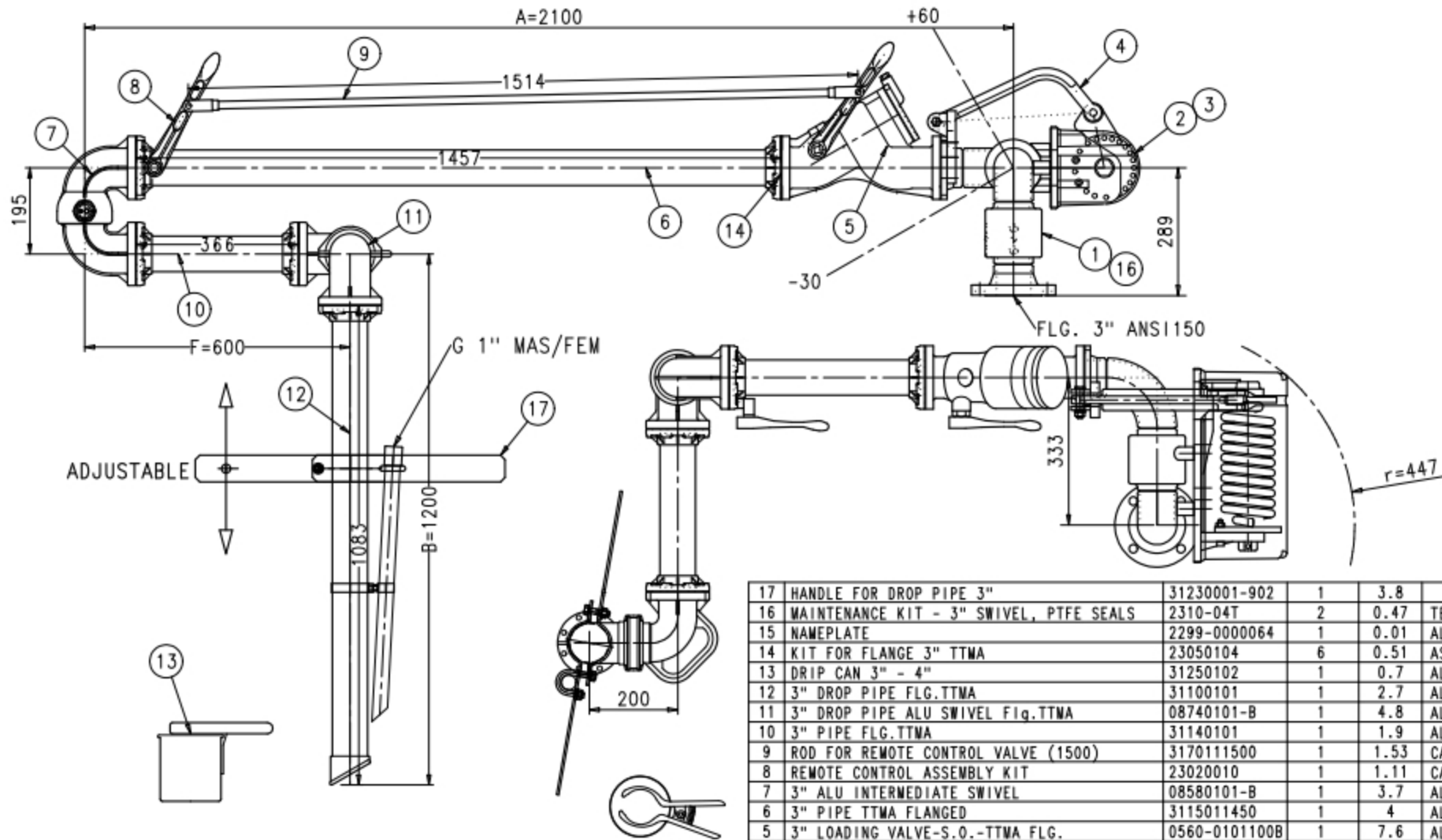
Rev.	Weight kg	Drawn by	Vis.	Scale	Date	Code
1	90.4	c-zanetti		1:10	14/05/2008	11010101-A

silea
 LIQUID TRANSFER s.r.l.
 Via Primo Maggio 19
 48064 Ozzano Emilia (BO) ITALY
 www.silea.it

Categoria I
 Modulo A

Year 201_ Code _____ DN _____
 Serial n° _____
 Ps 10 bar Ts -15/+65 °C V _____ lt
 (max) (min/max)
 Fluid GRUPPO 1 Weight _____ Kg

15



17	HANDLE FOR DROP PIPE 3"	31230001-902	1	3.8	
16	MAINTENANCE KIT - 3" SWIVEL, PTFE SEALS	2310-04T	2	0.47	TEFLON
15	NAMEPLATE	2299-0000064	1	0.01	ALUMINIUM
14	KIT FOR FLANGE 3" TTMA	23050104	6	0.51	ASBESTFREE
13	DRIP CAN 3" - 4"	31250102	1	0.7	ALUMINIUM
12	3" DROP PIPE FLG.TTMA	31100101	1	2.7	ALUMINIUM
11	3" DROP PIPE ALU SWIVEL FLg.TTMA	08740101-B	1	4.8	ALUMINIUM+HNBR
10	3" PIPE FLG.TTMA	31140101	1	1.9	ALUMINIUM
9	ROD FOR REMOTE CONTROL VALVE (1500)	3170111500	1	1.53	CARB.STEEL+BRASS
8	REMOTE CONTROL ASSEMBLY KIT	23020010	1	1.11	CARBON STEEL+ALUMINIUM
7	3" ALU INTERMEDIATE SWIVEL	08580101-B	1	3.7	ALU+HNBR
6	3" PIPE TTMA FLANGED	3115011450	1	4	ALUMINIUM
5	3" LOADING VALVE-S.O.-TTMA FLG.	0560-0101100B	1	7.6	ALUMINIUM+HNBR
4	KIT LEVER ASSEMBLY	23020020-3DX	1	4.4	C.S.
3	COVER FOR SPRING BALANCE ASSEMBLY	23020030	1	0.85	ABS
2	TORSION SPRING BALANCE 18	3000-0101100	1	28	CAST IRON
1	3" DOUBLE BASE SWIVEL + TSB SUPPORT	08650101K	1	24.45	KCS
Pos	Descrizione	Codice	Q.tà	Peso	Materiale

Remarks :

ITEMS NOT LISTED ARE FOR INTERNAL USE ONLY





DESCRIPTION :

3" VARIABLE REACH TOP LOADING ARM TSB
BOTTOM ENTRY, HNBR SEALS, LOW TEMP

Material

KCS+ALU+PTFE+HNBR

Rev.	Weight kg	Drawn by	Vis.	Scale	Date	Code
0	94	utec3		1:10	31/07/2013	11010101-B02

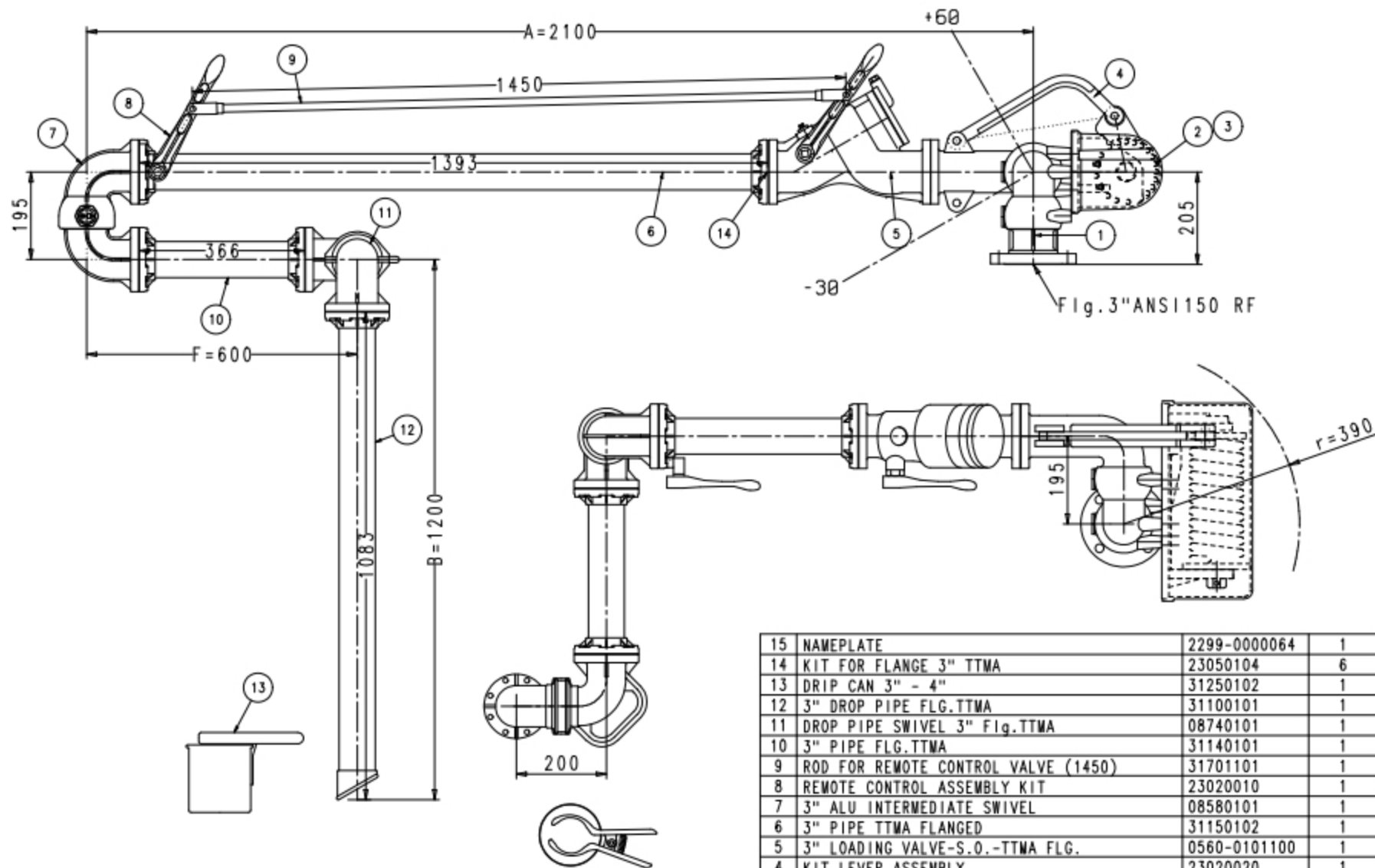
silea
 LIQUID TRANSFER s.r.l.
 Via Primo Maggio 19
 48064 Ozzano Emilia (BO) ITALY
 www.silea.it

Categoria I
 Modulo A

Year 201__ Code _____ DN _____
 Serial n° _____
 Ps 10 bar Ts -40/+65 °C U _____ it
 Fluid GRUPPO 1 Weight _____ Kg

-40/+65


H003



Pos	Descrizione	Codice	Q.tà	Peso	Materiale
15	NAMEPLATE	2299-0000064	1	0.01	ALUMINIUM
14	KIT FOR FLANGE 3" TTMA	23050104	6	0.46	ASBESTFREE
13	DRIP CAN 3" - 4"	31250102	1	0.7	ALUMINIUM
12	3" DROP PIPE FLG.TTMA	31100101	1	2.7	ALUMINIUM
11	DROP PIPE SWIVEL 3" Fig.TTMA	08740101	1	4.925	ALUMINIUM+VITON
10	3" PIPE FLG.TTMA	31140101	1	1.9	ALUMINIUM
9	ROD FOR REMOTE CONTROL VALVE (1450)	31701101	1	1.48	CARB.STEEL+BRASS
8	REMOTE CONTROL ASSEMBLY KIT	23020010	1	1.11	CARBON STEEL+ALUMINIUM
7	3" ALU INTERMEDIATE SWIVEL	08580101	1	3.7	ALUMINIUM+VITON
6	3" PIPE TTMA FLANGED	31150102	1	3.9	ALUMINIUM
5	3" LOADING VALVE-S.O.-TTMA FLG.	0560-0101100	1	7.6	ALUMINIUM+VITON
4	KIT LEVER ASSEMBLY	23020020	1	2.8	CAST IRON+CARB.STEEL
3	COVER FOR SPRING BALANCE ASSEMBLY	23020030	1	0.85	ABS
2	TORSION SPRING BALANCE 18	3000-0101100	1	28	CAST IRON
1	DOUBLE BASE SWIVEL 3" Fig.ANSI150rf/TTMA	08640101	1	19.72	CAST IRON+VITON

Remarks :

ITEMS NOT LISTED ARE FOR INTERNAL USE ONLY



silea
Liquid Transfer s.r.l.
www.silea.it

DESCRIPTION :

3" VARIABLE REACH TOP LOADING ARM TSB
bottom inlet - right hand

Material

CAST IRON+ALUMINIUM

Rev.	Weight kg	Drawn by	Vis.	Scale	Date	Code
10	83	c-zanetti		1:10	22/09/2009	11010101

 	 LIQUID TRANSFER s.r.l. Via Primo Maggio 19 48064 Ozzano Emilia (BO) ITALY www.silea.it	 Categoria I Modulo A
	Year <input type="text" value="201"/> Code <input type="text"/> DN <input type="text"/> Serial n° <input type="text"/> Ps <input type="text" value="10"/> bar Ts <input type="text" value="-15/+65"/> °c V <input type="text"/> lt <small>(max) (min/max)</small> Fluid <input type="text" value="GRUPPO 1"/> Weight <input type="text"/> Kg	

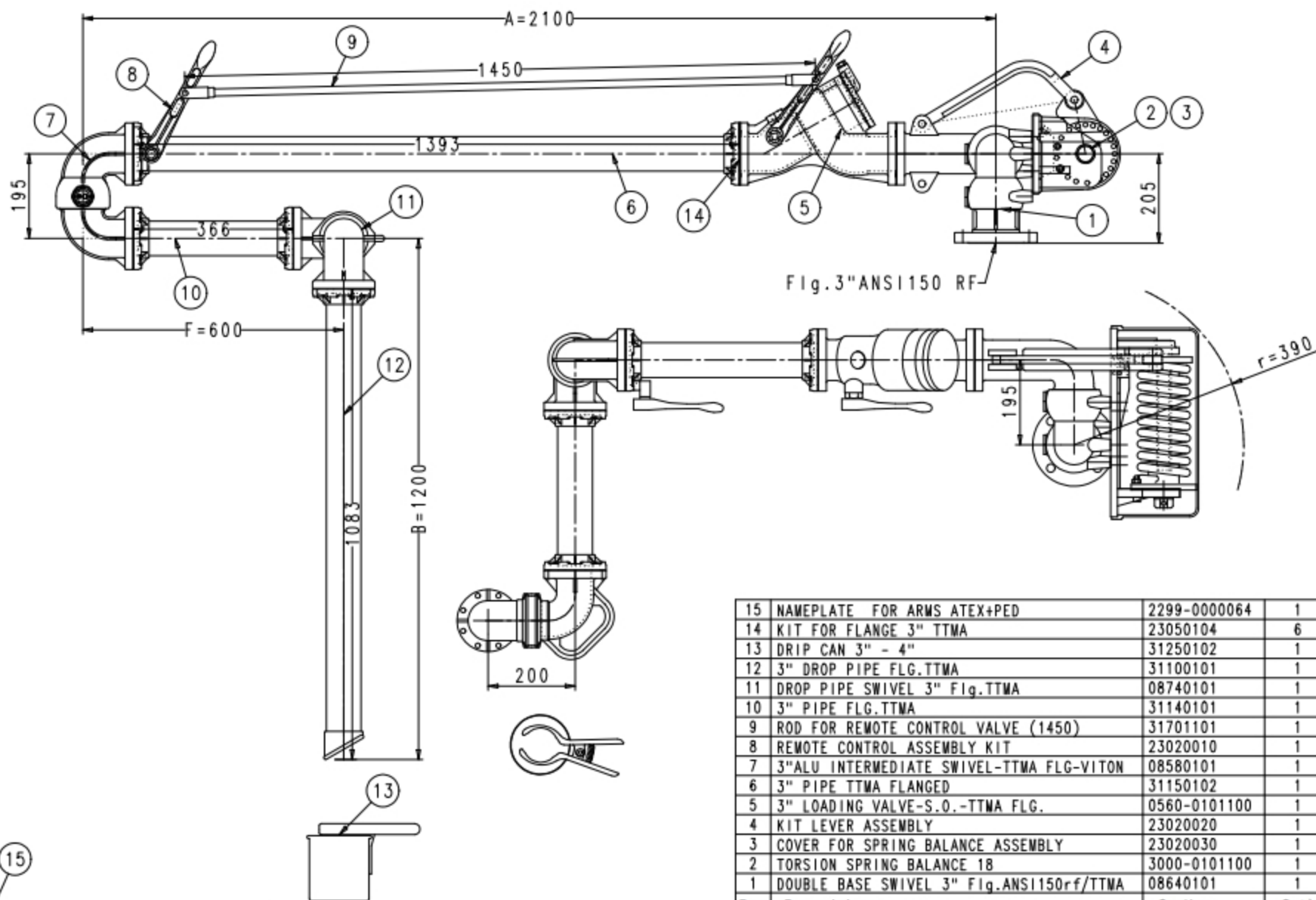


Fig. 3" ANSI 150 RF

15	NAMEPLATE FOR ARMS ATEX+PED	2299-0000064	1	0.01	ALUMINIUM
14	KIT FOR FLANGE 3" TTMA	23050104	6	0.46	ASBESTFREE
13	DRIP CAN 3" - 4"	31250102	1	0.7	ALUMINIUM
12	3" DROP PIPE FLG.TTMA	31100101	1	2.7	ALUMINIUM
11	DROP PIPE SWIVEL 3" Flg.TTMA	08740101	1	4.925	ALUMINIUM+VITON
10	3" PIPE FLG.TTMA	31140101	1	1.9	ALUMINIUM
9	ROD FOR REMOTE CONTROL VALVE (1450)	31701101	1	1.48	CARB. STEEL+BRASS
8	REMOTE CONTROL ASSEMBLY KIT	23020010	1	1.11	CARBON STEEL+ALUMINIUM
7	3"ALU INTERMEDIATE SWIVEL-TTMA FLG-VITON	08580101	1	3.7	ALUMINIUM+VITON
6	3" PIPE TTMA FLANGED	31150102	1	3.9	ALUMINIUM
5	3" LOADING VALVE-S.O.-TTMA FLG.	0560-0101100	1	7.6	ALUMINIUM+VITON
4	KIT LEVER ASSEMBLY	23020020	1	2.8	CAST IRON+CARB. STEEL
3	COVER FOR SPRING BALANCE ASSEMBLY	23020030	1	0.85	ABS
2	TORSION SPRING BALANCE 18	3000-0101100	1	28	CAST IRON
1	DOUBLE BASE SWIVEL 3" Flg. ANSI 150rf/TTMA	08640101	1	19.72	CAST IRON+VITON
Pos	Descrizione	Codice	Q.tà	Peso	Materiale

Remarks :

ITEMS NOT LISTED ARE FOR INTERNAL USE ONLY



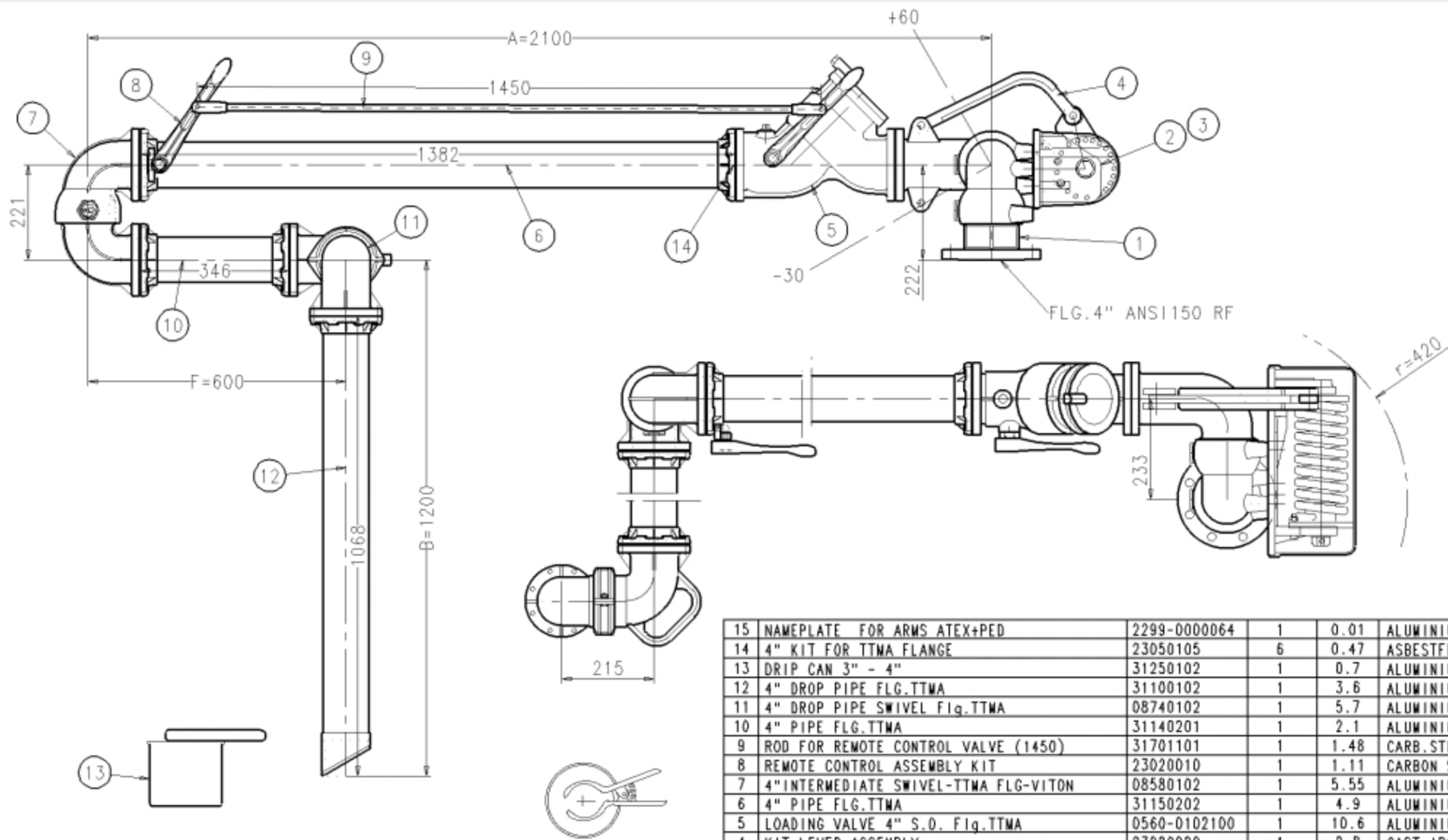
DESCRIPTION :

3" VARIABLE REACH TOP LOADING ARM TSB
BOTTOM ENTRY, VITON SEALS

Material
C.I.+ALU.ALLOY

Rev.	Weight kg	Drawn by	Vis.	Scale	Date	Code
12	82.15	utec3		1:10	21/12/2007	11010101

48064 Ozzano Emilia (BO) ITALY via Collegio di Spagna 34 Tel. +39 051 799229 http: www.silea.it					
Categoria I Modulo A					
Year	200	Code		DN	
Serial n°	001/001				
Ps	10	Ts	-15/+65	c	V
	(max)		(min/max)		ic
Fluid	GRUPPO 1	Weight		kg	



FLG.4" ANSI150 RF

15	NAMEPLATE FOR ARMS ATEX+PED	2299-0000064	1	0.01	ALUMINIUM
14	4" KIT FOR TTMA FLANGE	23050105	6	0.47	ASBESTFREE
13	DRIP CAN 3" - 4"	31250102	1	0.7	ALUMINIUM
12	4" DROP PIPE FLG.TTMA	31100102	1	3.6	ALUMINIUM
11	4" DROP PIPE SWIVEL Flg.TTMA	08740102	1	5.7	ALUMINIUM+VITON
10	4" PIPE FLG.TTMA	31140201	1	2.1	ALUMINIUM
9	ROD FOR REMOTE CONTROL VALVE (1450)	31701101	1	1.48	CARB. STEEL+BRASS
8	REMOTE CONTROL ASSEMBLY KIT	23020010	1	1.11	CARBON STEEL+ALUMINIUM
7	4" INTERMEDIATE SWIVEL-TTMA FLG-VITON	08580102	1	5.55	ALUMINIUM+VITON
6	4" PIPE FLG.TTMA	31150202	1	4.9	ALUMINIUM
5	LOADING VALVE 4" S.O. Flg.TTMA	0560-0102100	1	10.6	ALUMINIUM+VITON
4	KIT LEVER ASSEMBLY	23020020	1	2.8	CAST IRON+CARB. STEEL
3	COVER FOR SPRING BALANCE ASSEMBLY	23020030	1	0.85	ABS
2	TORSION SPRING BALANCE 20	3000-0102100	1	28.5	CAST IRON
1	DOUBLE BASE SWIVEL 4" Flg.ANSI150rf/TTMA	08640102	1	27.5	CAST IRON+VITON
Pos	Descrizione	Codice	Q.t	Peso	Materiale

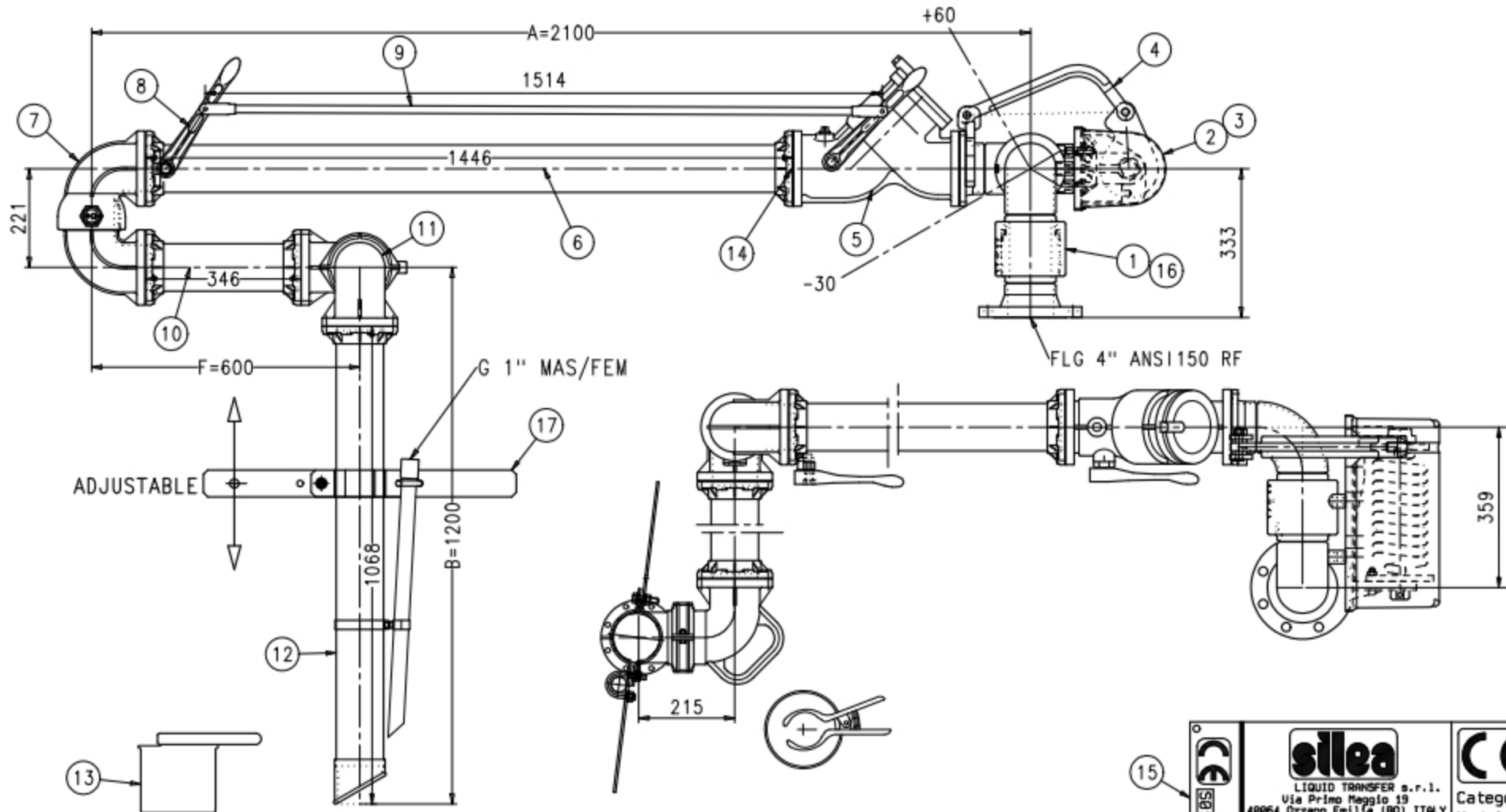
Remarks :



ITEMS NOT LISTED ARE FOR INTERNAL USE ONLY

	stabilimento e uffici: via Collegio di Spagna 34 Tel.799229 - cop 48864 Ozzano Emilia (Bologna)	DESCRIPTION : 4" VARIABLE REACH TOP LOADING ARM TSB BOTTOM ENTRY, VITON SEALS
	silea S.p.A.	Material CAST IRON+ALUMINIUM

Rev.	Weight kg	Drawn by	Uis.	Scale	Date	Code
5	98	c-zonetti		1:10	14/04/2009	11010102

	silea SPA 40064 Ozzano Emilia (BO) ITALY via Collegio di Spagna 34 Tel.+39 051 799229 http://www.silea.it	
	Categoria I Modulo A	
Year 200 Code <input type="text"/> DN <input type="text"/>	Serial n° <input type="text"/> 001/001	
Ps 10 bar Ts -15/+65 °C U <input type="text"/> lt		
Fluid GRUPPO 1 Weight <input type="text"/> Kg		



LIQUID TRANSFER s.r.l.
 Via Primo Maggio 19
 48064 Ozzano Emilia (BO) ITALY
 www.silea.it

Categoria I
 Modulo A

Year 201 Code _____ DN _____
 Serial n° _____
 Ps 10 bar Ts -40/+65 °C U _____ t:
 (max) (min/max)
 Fluid GRUPPO 1 Weight _____ kg

-40/+65

17	HANDLE FOR DROP PIPE 4"	31230002-902	1	4	
16	MAINTENANCE KIT - 4" SWIVEL, PTFE SEALS	2310-05T	2	0.6	PTFE
15	NAMEPLATE	2299-0000064	1	0.01	ALUMINIUM
14	4" KIT FOR TTMA FLANGE	23050105	6	0.47	ASBESTFREE
13	DRIP CAN 3" - 4"	31250102	1	0.7	ALUMINIUM
12	4" DROP PIPE FLG.TTMA	31100102	1	3.6	ALUMINIUM
11	DROP PIPE SWIVEL 4" Flg.TTMA	08740102-B	1	5.7	ALUMINIUM+HNBR
10	4" PIPE FLG.TTMA	31140201	1	2.1	ALUMINIUM
9	ROD FOR REMOTE CONTROL VALVE (1515)	3170111515	1	1.53	CARB.STEEL+BRASS
8	REMOTE CONTROL ASSEMBLY KIT	23020010	1	1.11	CARBON STEEL+ALUMINIUM
7	4" ALU INTERMEDIATE SWIVEL	08580102-B	1	5.55	ALU+HNBR
6	4" PIPE TTMA FLANGED	3115021446	1	5	ALUMINIUM
5	LOADING VALVE 4" S.O. Flg.TTMA	0560-0102100B	1	10.6	ALUMINIUM+HNBR
4	KIT LEVER ASSEMBLY	23020020-4DX	1	3.95	C.S.
3	COVER FOR SPRING BALANCE ASSEMBLY	23020030	1	0.85	ABS
2	TORSION SPRING BALANCE 20	3000-0102100	1	28.5	CAST IRON
1	4" DOUBLE BASE SWIVEL + TSB SUPPORT	08650102K	1	36.7	KCS
Pos	Descrizione	Codice	Q.tà	Peso	Materiale

Remarks :

ITEMS NOT LISTED ARE FOR INTERNAL USE ONLY



silea
 Liquid Transfer s.r.l.
 www.silea.it

DESCRIPTION :

4" VARIABLE REACH TOP LOADING ARM TSB
 BOTTOM ENTRY, HNBR SEALS, LOW TEMP

Material

KCS+ALU+PTFE+HNBR

Rev.	Weight kg	Drawn by	Vis.	Scale	Date	Code
0	114	utec3		1:10	31/07/2013	11010102-B02